

## Flexible Solutions Promote Sales



### Customizable Configurations

The FreshWay T is a flexible scale solution that includes large colorful displays and various printers to support self-service use cases as well as operator driven use cases on lower counters. A full-color customer display supports graphics-intensive digital signage to drive incremental sale as well as improved customer interactions.



### Versatile Printing

The FreshWay T includes choices of 2" or 3" label, linerless and receipt printers to support any application. Dual printing capability with one pole-mounted printer and one remote printer provides even more flexibility.



### Durable Housing

The impact-resistant aluminum housing with non-stick surface protects the FreshWay T scale against spills, acids, salts, and fats. This makes it ideal for long-term usage, even in highly-demanding retail conditions.



### Intuitive Software

The user interface of the FreshWay T offers simplified operation with its familiar FreshPro GUI that is user-friendly for both new employees and experienced operators. Less training time means lower costs and more time for high-quality customer service.



### FreshWay T

The FreshWay T tower scale is a next-generation PC scale ideally-suited for lower retail counters. The ergonomic design of the raised tower display makes operation easy and convenient, ensuring faster and more accurate processes. Flexible configurations support multiple use cases for operators and customers, including self-service applications.

The FreshWay T's robust, future-proof design ensures high-performance weighing technology for even the most demanding retail environments.

## Technical Data

### FreshWay T

#### Operator Touchscreen Display

- 15.6" (39.6 cm) capacitive touchscreen with a bright, high-contrast TFT LED backlit display
  - Screen resolution: 1366 x 768 pixels
- Continuous tilt angle adjustments (stepless)
- Optional 12.1" (30.7 cm) display available
  - Screen resolution: 1024 x 768 pixels

#### Customer Display (Optional)

- 15.6" (39.6 cm) customer display with a bright, high-contrast TFT LED backlit display
  - Screen resolution: 1366 x 768 pixels
- 12.1" (30.7 cm) customer display with bright, high-contrast LED backlight technology
  - Screen resolution: 1024 x 768 pixels

#### Printers

- Printing width: 2.2" (56 mm)
- Paper width: 1.7 – 2.4" (44 – 62 mm)
- Printing speed: up to 5.9"/sec (150 mm/sec)
- Print resolution: 8 dots/mm
- Separate paper feed button
- Pole-mounted printer options:
  - 2-inch (50.8 mm) ticket printer
  - 2-inch (50.8 mm) label printer
  - 2-inch (50.8 mm) linerless printer
  - 3-inch (76.2 mm) linerless printer
- Remote-mounted (up to 4m) printer options:
  - 3-inch (76.2 mm) label printer
  - 3-inch (76.2 mm) linerless printer
- Dual printer capability

#### Accessories

- Bar Code Scanner Kit: #30711108
- Platter Cover, clear plastic: #30488898
- Stand Alone Kit Printer FLLP3 & FLP3: #30676301
  - Printer options: 3-inch label printer: #30565505; 3-inch linerless printer: #30494889
  - Cable options: 1.4m: #30260345; 2m: #30212467; 4m: #30431528 (External printer and cable must be ordered separately)
- Seafood pan: # 64064884
- Lobster pan: # 64064885

#### Processor

- Intel® Dual Core N3010 1.06 GHz processor (2.24 GHz in turbo mode)

#### Memory/Data Storage

- 4 GB DDR3 RAM
- 64 GB Flash Memory

#### Operating System

- Linux openSUSE Leap 15 64-bit
- Microsoft Windows® 10 IoT Enterprise 64-bit

#### Scale Software

- FreshPro application

#### Power Supply

- 100 – 240 V AC, 50 / 60 Hz

#### Average Power Consumption

- During operation: ca. 26 W

#### Interfaces and Protocols

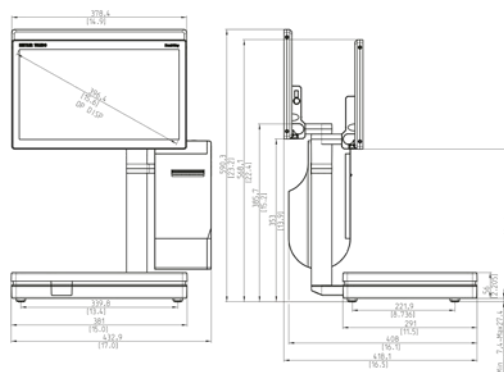
- Gigabit Ethernet interface (10/100/1000)
- 1 x RJ11 interface for controlling the cash register drawer
- 2 x USB 2.0 ports
- 2 x USB 3.0 ports
- Integrated wireless solution for wireless data transmission in accordance with standard IEEE 802.11 ac/a/b/g/n (2T2R), with 2 x 2 MIMO

#### Housing

- Impact-resistant housing made of die-cast aluminum
- Seamless cover resistant to spills
- Color: Black

Weighing range	15 lb / 30 lb (6.8 kg / 13.7 kg)
Graduation	0.005 lb / 0.001 lb (0.002 kg / 0.0005 kg)
Minimum load	0.1 lb (0.05 kg)

Intel is a registered trademark of Intel Corporation in the U.S. and/or other countries. Microsoft® and Windows® are registered trademarks of Microsoft Corporation in the United States and/or other countries.



#### METTLER TOLEDO Group

Retail Division

Local contact: [www.mt.com/contacts](http://www.mt.com/contacts)

Subject to technical changes

©05/2022 METTLER TOLEDO. All rights reserved

Document No. 30552217 A

MarCom Industrial

[www.mt.com](http://www.mt.com)

For more information

